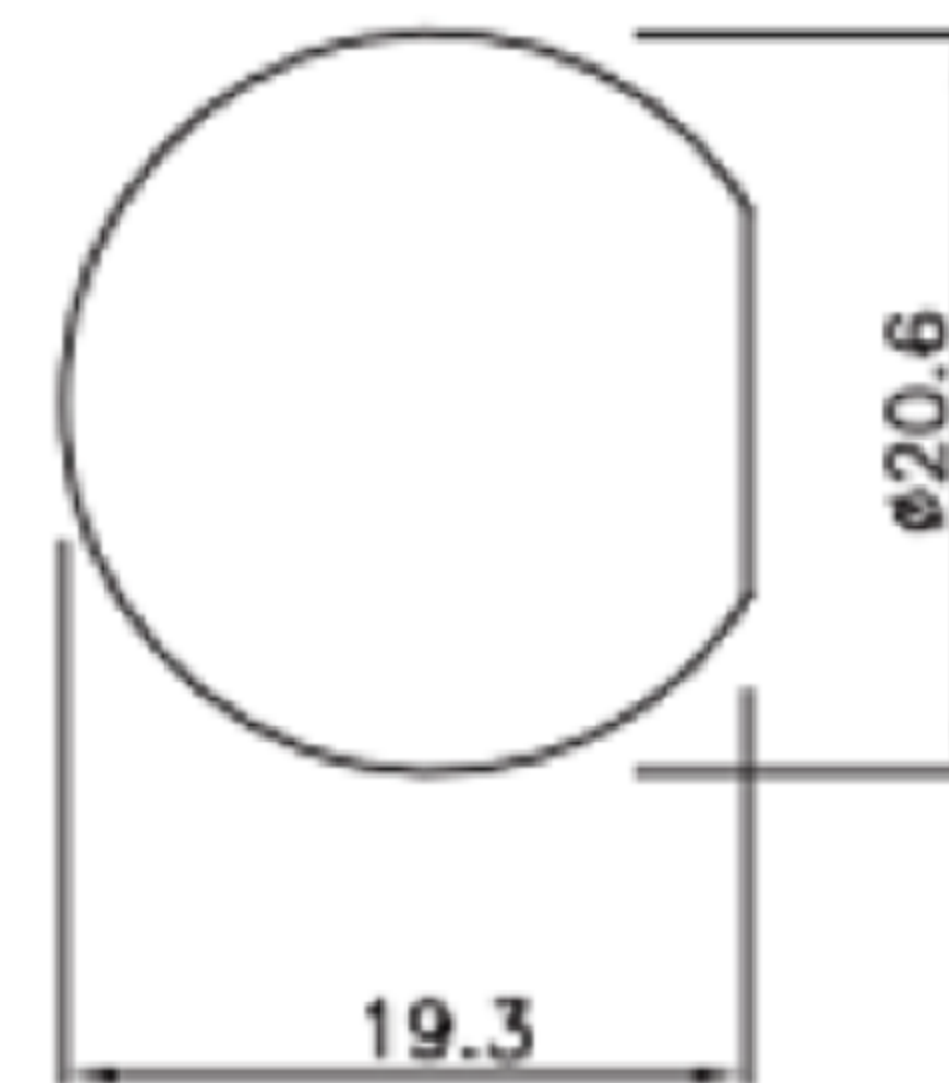


开孔尺寸
hole opening size



板前安装孔型插座(螺纹式)
E13 Female Front Mount Solder Receptacle(Threaded)

E13T - S 3B - PWB

芯数:
A:2 3 4 5 6 7 8 9
10 12 14
B:2B 3B 4B
C:8C



产品参数 PRODUCT PARAMETERS

外壳材料 Shell material	热塑性塑料PA66 阻燃等级: V-0 Thermoplastic plastic PA66, flame retardant grade: V-0	绝缘电阻 Insulation resistance	2000 mΩ
插针材料 Contact material	铜镀金 Copper gold-plated	适用温度 Applicable temperature	-40°C ~ +105°C
连接方式 Coupling	螺纹锁紧(T);卡扣锁紧(B) Thread (T); Bayonet(B)	电缆线径 Cable diameter	6.0mm~10.0mm
接线方式 Termination way	焊接 Solder	防水等级 Waterproof grade	IP67、IP68
插拔次数 Durability	≥500次(Cycles)		

东莞市高迪电子有限公司
DONG GUAN GAO DI ELECTRONICS CO., LTD

TOLERANCE UNLESS OTHERWISE STATED:
Up to 5 ±0.2
Above 5 ~ 15 ±0.3
Above 15 ~ 30 ±0.4
Above 30 ~ 50 ±0.5
Angle ±0.3°

3RD. ANGEL'S

UNITS MM

DRAWN BY:	DATE	MAT'L	TITLE	CONNECTOR
Jack Lu	12/13/19			
CHECKED BY:	DATE	FINISH	MODLE	E13T - S 3B - PWB
Jacky Chen	12/13/19			
APPROVED BY:	DATE	SCALE	DWG NO.	SIZE
Tony Kao	12/13/19	1:1		A4
		SHEET NO.	PART NO.	VER
		1 of 1		R1